

A

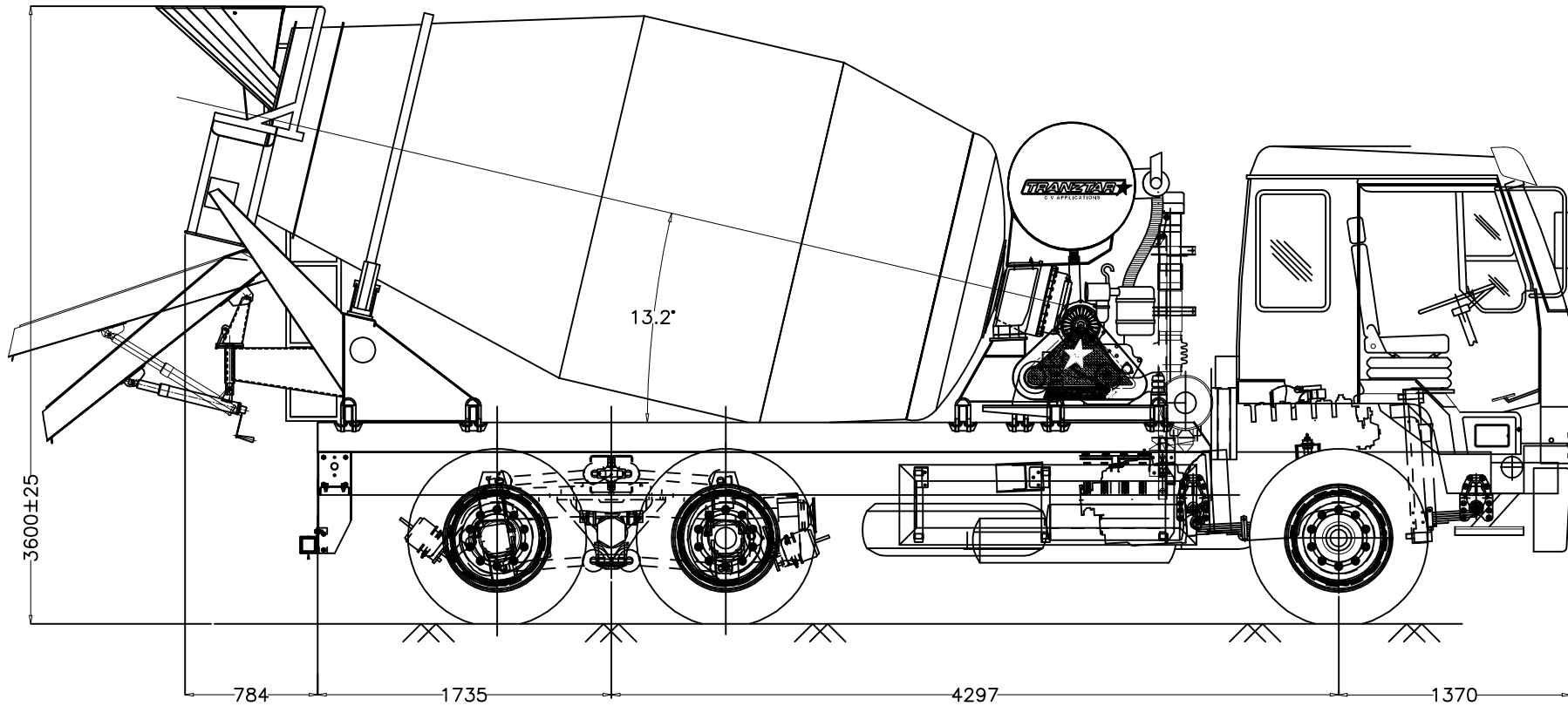
B

C

D

ECN	DT	CHANGES	APN	LEVEL

This design is strictly private and confidential. It is the exclusive property of ASIA MOTORWORKS LTD. and must not be used, copied or reproduced in part or whole without the Company's written permission.



WELDED STRUCTURES	± 1	± 2	± 3	± 4	± 5	± 6	± 7	± 8	± 9	± 10														
MACHINING PROCESS	± 0.1	± 0.2	± 0.3	± 0.5	± 0.8	± 1.2	± 2	± 3	± 4	± 6														
NOMINAL DIMENSIONS	0	6	18	30	50	120	180	250	315	400	500	1000	1250	2000	2500	3500	4000	5000	6000	8000	10000	12000	16000	20000

AS PER IS 2102 - EXTRA COARSE AMW - FBV

DO NOT SCALE DRG ALL DIMENSIONS ARE IN MM SPECIAL INSTRUCTIONS SHARP EDGES TO BE REMOVED

REF PT NO

PROJECT/REMARKS: 6 CBM TM

SURFACE PROTECTION: FABRICATED COMPONENTS TO BE GRIT BLASTED TO SA 2.5 AND COATED WITH EPOXY PRIMER. FINISH WT--kg(approx) --

TRANZTAR C V APPLICATIONS A quality product from **AMW**

DRAWN	CHECKED	APPROVED
DDP / 7/11/11	VVK / 7/11/11	/

DESCRIPTION
6 CBM Transit Mixer GA - Tranztar

SCALE: PART No **7TMA-01-0004**

A

B

C

D

SHEET 1 OF 1

Specification

Model	6 CBM Transit Mixer
G.A. DRG REF.	7TMA-01-0004
Weight	~4435 kg
Dimensions	L=5960 ±15 mm ;W=2220±15 mm ;H=2585±15 mm(Excluding truck chassis)
Construction	Drum and blades made from special grade (abrasion resistant) steel plates 5mm thick, dished ends made from 6mm thick plate.
Drum Inclination	13.2 Deg.
Speed of rotation	0 – 14 RPM
Rotation control	Mechanical control using double rack lever.
Manholes	2 Nos. - provided on bottom Cone
Engine	Kirloskar HA 494 , with rated capacity of 51.5 KW / 70 HP @ 2500 RPM
Gear Box	ZF / Bonfiglioli
Pump/Motor	Eaton
Water tank	650 liters capacity
Water Pump	Belt driven from Engine
Accessories	Oil cooling system, washing hose, access ladder/platform. Discharge Chute – Swivel type with range 180° horizontally (left/right), 300 Vertically with foldable extension chute. Mudguard-2nos with mud-flaps
Shot Blasting &Painting	All steel parts shall be shot blasted and painted with twin coats of primer and finish enamel paint. Color can be as per customer choice

Note: As a result of continuous product improvement the specifications given above may undergo change.