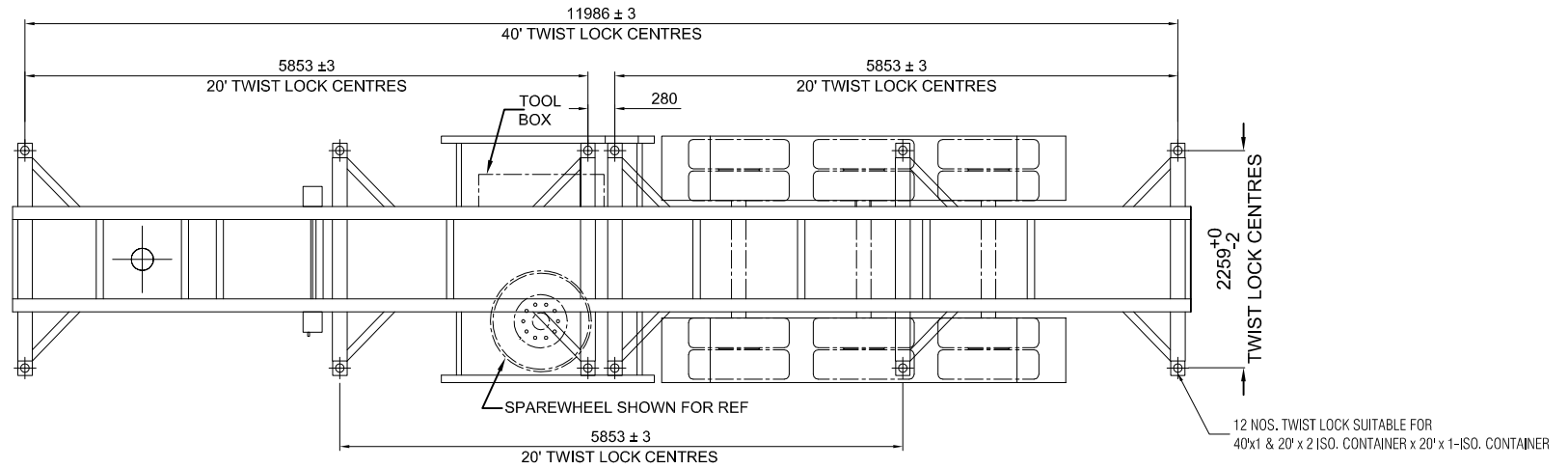


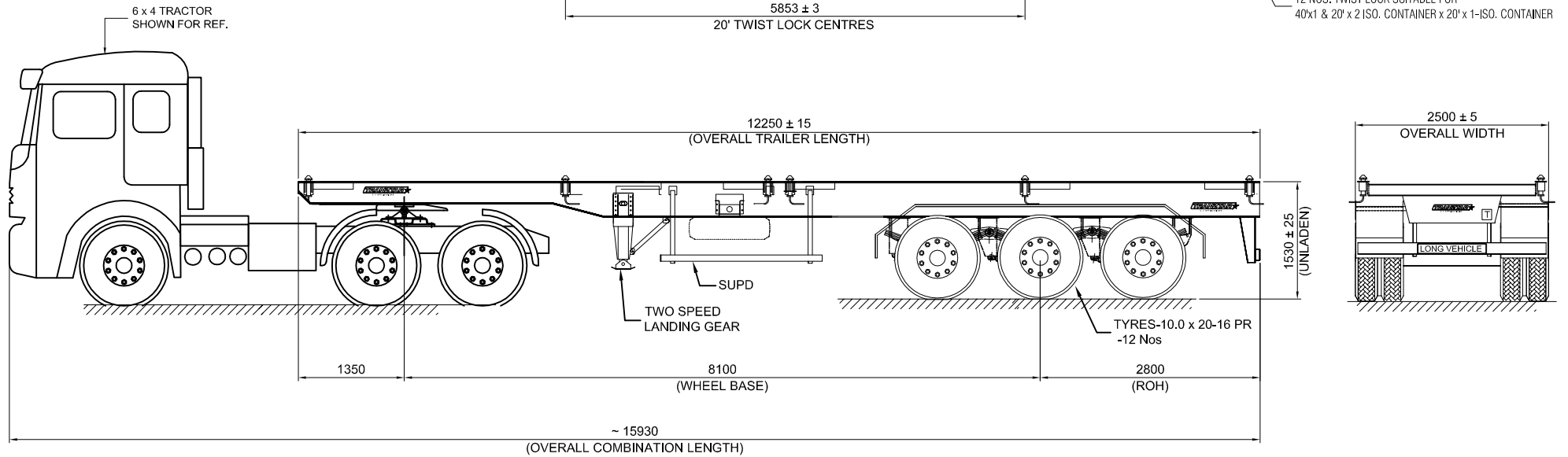
ECN	DT	CHANGES	APN	LEVEL

This design is strictly private and confidential. It is the exclusive property of ASIA MOTORWORKS LTD. and must not be used, copied or reproduced in part or whole without the Company's written permission.

1



2



1

2



TRANZSTAR
C V APPLICATIONS

3



C V APPLICATIONS

A quality product from **AMW**

DRAWN	CHECKED	APPROVED
MT / 14.05.12	GRI / 14.05.12	VVK / 14.05.12
DESCRIPTION 40 ft TRIDEM AXLE SKELETAL SEMI-TRAILER		
SCALE	PART No	40SK-3B-T041-01

UNBRACED TOLERANCES	WELDED STRUCTURES	± 1	± 2	± 3	± 4	± 5	± 6	± 7	± 8	± 9	± 10															
	MACHINING PROCESS	± 0.1	± 0.2	± 0.3	± 0.5	± 0.8	± 1.2	± 2	± 3	± 4	± 5	± 6														
	NOMINAL DIMENSIONS	0	6	18	30	50	120	180	250	315	400	500	1000	1250	2000	2500	3500	4000	5000	6000	8000	10000	12000	16000	20000	
	AS PER IS 2102 - EXTRA COARSE	AMW - FBV																								
DO NOT SCALE DRG	ALL DIMENSIONS ARE IN MM	SPECIAL INSTRUCTIONS																								
SHARP EDGES TO BE REMOVED																										

REF PT NO

PROJECT/REMARKS:

SURFACE PROTECTION: FABRICATED COMPONENTS TO BE GRIT BLASTED TO SA 2.5 AND COATED WITH EPOXY PRIMER.

FINISH WT-kg(approx)
-kg

Specification

Model	40 ft. Skeletal Tridem axle Semi Trailer
G.A. DRG REF.	40SK-3B-T041-01
Weight	~6300 kg
Overall Length	12250 ±15 mm
Overall Width	2500 ± 5 mm
Height (Rear end)	1530±25 mm
Chassis	<p>Chassis is constructed using 2 nos. fabricated beam of appropriate size, running along full length of the Trailer with cross members of folded sections.</p> <p>12 nos Twist Locks (2 nos 20Ft container / 1 nos 20Ft container Application / 1 nos 40Ft container Application) .</p>
King Pin	2” de-mountable kingpin as per IS 6763 part-I.
Axle Assembly	3 Nos. 13T capacity heavy duty axles.
Suspension	Heavy duty tridem multi-leaf spring suspension.
Landing legs	Two speed telescopic type landing leg
Tyres	10.00 x 20 – 16 PR – 12 nos
Wheel rim	7.5 x 20 – 12 nos
Brake system	2-line pneumatic brake system with air tank, relay emergency valve and brake Chambers.
Electrical	24 V DC electrical include Tail lamp, Brake lamp and direction indicator fitted on rear end of trailer. 7 pole connector wiring .
Shot Blasting & Painting	Trailer shall be shot blasted and painted with twin coats of primer and finish enamel paint. Colour can be as per customer choice.
Accessories	<ol style="list-style-type: none"> 1. Toolbox 2. Spare wheel carrier 3. SUPD, RUPD shall be provided as per CMVR requirements
Warranty	One Year Warranty from the date of invoice under normal operating conditions excluding Leaf Springs & Tyres and other proprietary items. Warranty of bought out parts will be as per supplier’s terms & conditions.

Note: As a result of continuous product improvement the specifications given above may undergo change.