

A

B

C

D

ECN

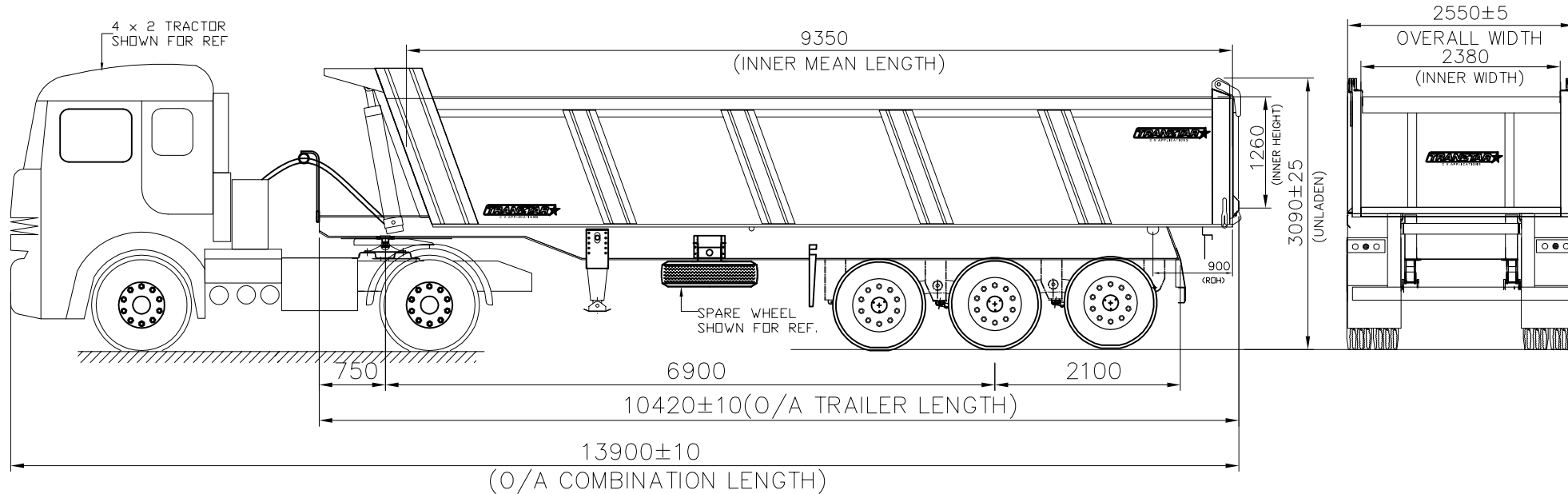
DT

CHANGES

APN

LEVEL

This design is strictly private and confidential. It is the exclusive property of ASIA MOTORWORKS LTD. and must not be used, copied or reproduced in part or whole without the Company's written permission.



### SPECIFICATION

VOLUMETRIC CAPACITY : 28 m<sup>3</sup>  
 HYDRAULLIC KIT : FE191-5-6180  
 BODY INTERNAL DIMENSION : 1.26m x 2.38m x 9.35m  
 (HEIGHT x WIDTH x MEAN LENGTH)  
 MAX. TIPPING ANGLE : 43°

UNSPECIFIED TOLERANCES	±1	±2	±3	±4	±5	±6	±7	±8	±9	±10														
WELDED STRUCTURES																								
MACHINING PROCESS	±0.1	±0.2	±0.3	±0.5	±0.8	±1.2	±2	±3	±4	±5 ±6														
NOMINAL DIMENSIONS	0	6	18	30	50	120	180	250	315	400	500	1000	1250	2000	2500	3500	4000	5000	6000	8000	10000	12000	16000	20000

DO NOT SCALE DRG	ALL DIMENSIONS ARE IN MM	SPECIAL INSTRUCTIONS
SHARP EDGES TO BE REMOVED		

REF PT NO \_\_\_\_\_ PROJECT/REMARKS: FOR TRIDEM AXLE TIP TRAILER  
 FINISH WT-kg (approx) \_\_\_\_\_  
 SURFACE PROTECTION: FABRICATED COMPONENTS TO BE GRIT BLASTED TO SA 2.5 AND COATED WITH EPOXY PRIMER.  
 -kg

**TRANZSTAR** C V APPLICATIONS A quality product from **AMM**

DRAWN	CHECKED	APPROVED
VPG / 14.5.12	GRI / 14.5.12	VVK / 14.5.12
DESCRIPTION 28CBM TIP TRAILER WITH FE191 ON 4018TR		
SCALE	PART No	28TT-37-0112-01

A

B

C

D

## SPECIFICATION

<b>Model</b>	<b>28CBM TRIDEM AXLE TIP TRAILER FE-191</b>
<b>G.A. DRG REF.</b>	<b>28TT-37-0112-01</b>
<b>Weight</b>	<b>~10200 kg</b>
<b>Overall Length</b>	<b>10420 +10 mm</b>
<b>Overall Width</b>	<b>2550 + 5 mm</b>
<b>Height (Rear end)</b>	<b>3090+25 mm(unladen)</b>
<b>Chassis</b>	<b>Chassis is constructed using 2 nos. fabricated beam of appropriate size of material SRTRN51 or equivalent, running along full length of the Trailer with pressed or equivalent cross members BODY: 5mm thick side board , 6mm thick floor &amp; 4mm tail door</b>
<b>King Pin</b>	<b>2" de-mountable kingpin as per IS 6763 part-I.</b>
<b>Axle Assembly</b>	<b>3 Nos. 13T capacity heavy duty axles.</b>
<b>Suspension</b>	<b>Heavy duty tridem multi-leaf spring suspension.</b>
<b>Landing legs</b>	<b>Two speed telescopic type landing leg</b>
<b>Tyres</b>	<b>10.00 x 20 – 16 PR – 12 nos</b>
<b>Wheel rim</b>	<b>7.5 x 20 – 12 nos</b>
<b>Brake system</b>	<b>2-line pneumatic brake system with air tank, relay emergency valve and brake chambers.</b>
<b>Electrical</b>	<b>24 V DC electrical include Tail lamp, Brake lamp and direction indicator fitted on rear end of trailer. 7 pole connector wiring.</b>
<b>Tipping Kit</b>	<b>5 Stage Tipping Kit – FE191-5-6180 Hyva make</b>
<b>Shot Blasting &amp; Painting</b>	<b>Trailer shall be shot blasted and painted with twin coats of primer and finish enamel paint. Color can be as per customer choice.</b>
<b>Accessories</b>	<b>1. Toolbox 2. Spare wheel carrier 3. RUPD as per CMVR requirements</b>
<b>Warranty</b>	<b>One year warranty from the date of invoice under normal operating conditions excluding leaf springs &amp; tyres and other proprietary items. Warranty of bought out parts will be as per supplier's terms &amp; conditions.</b>

Note: As a result of continuous product improvement the specifications given above may undergo change.