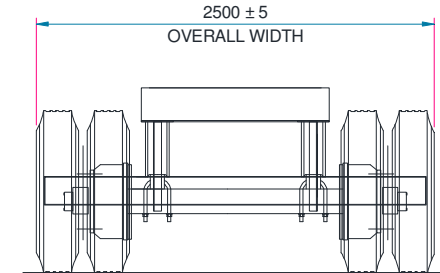
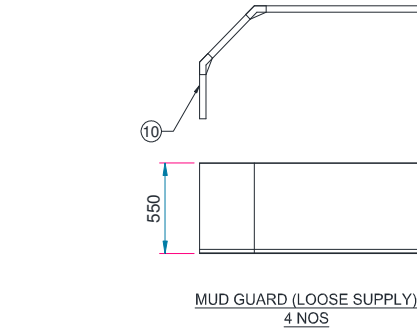
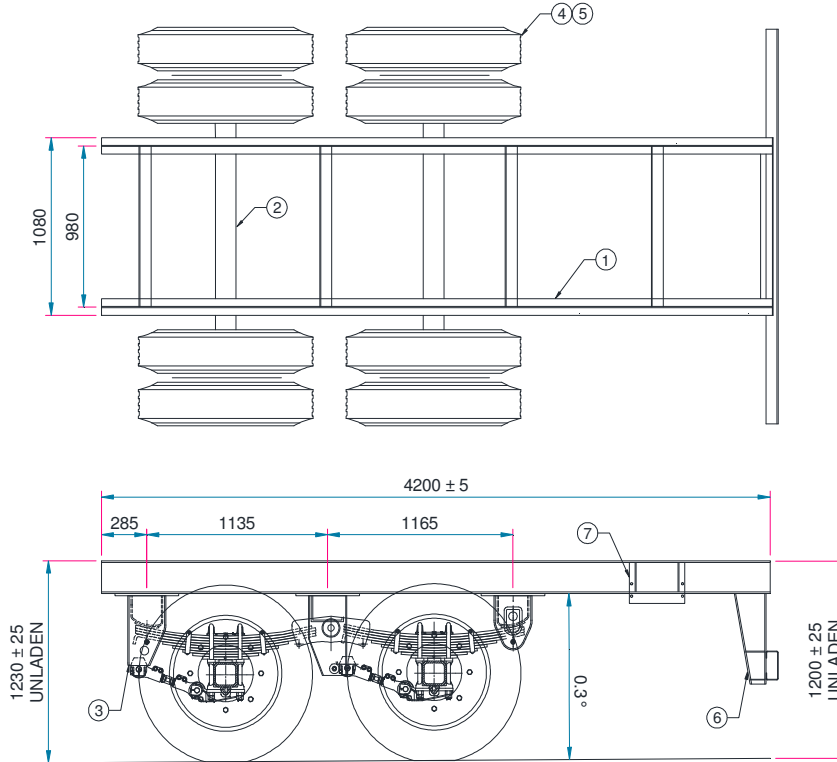
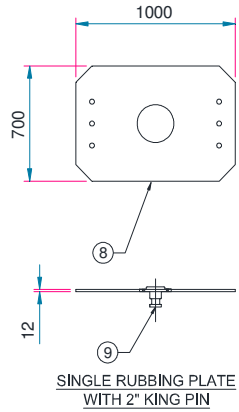


This design is strictly private and confidential. It is the exclusive property of ASIA MOTORWORKS LTD. and must not be used, copied or reproduced in part or whole without the Company's written permission.



ECN	DT	CHANGES	APN	LEVEL
-----	----	---------	-----	-------



10	FABRICATED MUD GUARD (LOOSE SUPPLY)	4 NOS
09	2" KING PIN	1 SET
08	RUBBING PLATE (LOOSE SUPPLY)	1
07	SPARE WHEEL MTG PLATE	1 SET
06	RUPD ASSY	1 SET
05	WHEEL RIM 7.5 x 20 - 10 HOLES	8
04	TYRES 10.00 X 20 - 16 PR	8
03	TANDEM AXLE MULTI LEAF SPRING SUSPENSION	1 SET
02	13 TON AXLE ASSEMBLY WITH T 24 BRAKE CHAMBER	2 SETS
01	CHASSIS FRAME	1
Sl. No.	DESCRIPTION	QTY

WELDED STRUCTURES	± 1	± 2	± 3	± 4	± 5	± 6	± 7	± 8	± 9	± 10														
MACHINING PROCESS	± 0.1	± 0.2	± 0.3	± 0.5	± 0.8	± 1.2	± 2	± 3	± 4	± 5	± 6													
NOMINAL DIMENSIONS	0	6	18	30	50	120	180	250	315	400	500	1000	1250	2000	2500	3500	4000	5000	6000	8000	10000	12000	16000	20000

AS PER IS 2102 - EXTRA COARSE AMV - FBV

DO NOT SCALE DRG	ALL DIMENSIONS ARE IN MM	SPECIAL INSTRUCTIONS
SHARP EDGES TO BE REMOVED		

REF PT NO _____ PROJECT/REMARKS: **TANDEM AXLE RUNNING GEAR**

SURFACE PROTECTION: FABRICATED COMPONENTS TO BE GRIT BLASTED TO SA 2.5 AND COATED WITH EPOXY PRIMER.

FINISH WT - kg (approx) _____

-kg

TRANZTAR C V APPLICATIONS A quality product from **AMV**

DRAWN	CHECKED	APPROVED
Madhup 21/04/12	VVK 21/04/12	

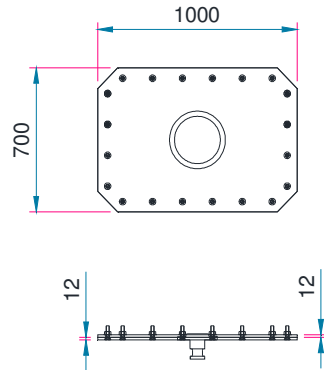
DESCRIPTION: **19 TON CAPACITY TANDEM AXLE RUNNING GEAR**

SCALE PART No **19RG-4B-0060** # _____

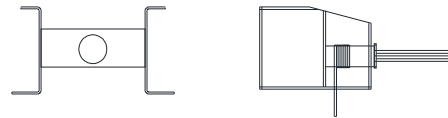
This design is strictly private and confidential. It is the exclusive property of ASIA MOTORWORKS LTD. and must not be used, copied or reproduced in part or whole without the Company's written permission.



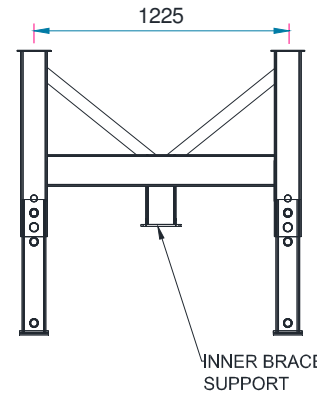
ECN	DT	CHANGES	APN	LEVEL



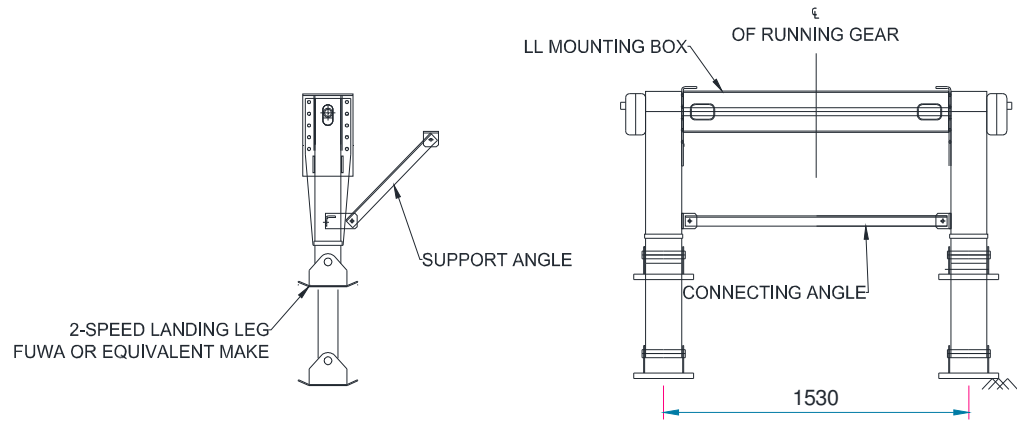
BOLTED TYPE DOUBLE RUBBING PLATE WITH 2" KING PIN



RATCHET TYPE SPARE WHEEL CARRIER



FABRICATED LANDING LEG WITH INNER BRACE SUPPORT



2-SPEED LANDING LEG WITH MOUNTING ARRANGEMENT

UNSPECIFIED TOLERANCES	±1	±2	±3	±4	±5	±6	±7	±8	±9	±10														
WELDED STRUCTURES	±1	±2	±3	±4	±5	±6	±7	±8	±9	±10														
MACHINING PROCESS	±0.1	±0.2	±0.3	±0.5	±0.8	±1.2	±2	±3	±4	±5														
NOMINAL DIMENSIONS	0	6	18	30	50	120	180	250	315	400	500	1000	1250	2000	2500	3500	4000	5000	6000	8000	10000	12000	16000	20000

DO NOT SCALE DRG	ALL DIMENSIONS ARE IN MM	SPECIAL INSTRUCTIONS
SHARP EDGES TO BE REMOVED		

REF PT NO _____ PROJECT/REMARKS: **TANDEM AXLE RUNNING GEAR**

SURFACE PROTECTION: FABRICATED COMPONENTS TO BE GRIT BLASTED TO SA 2.5 AND COATED WITH EPOXY PRIMER.

FINISH WT—kg (approx) _____

—kg

A quality product from **AMW**

DRAWN	CHECKED	APPROVED
Madhup 21/04/12	VVK 21/04/12	

DESCRIPTION: **OPTIONAL ACCESSORIES**

SCALE PART No **19RG-4B-0060** # _____

SPECIFICATION

Model	19 Ton capacity double axle running gear
G.A. DRG REF.	19 RG-4B-0060
Weight	~ 2800 Kg
Overall Length	4200 ± 5 mm
Overall Width	2500 ± 5 mm
Bed Height front (Unladen)	~1230 ± 25 mm
Bed Height rear (Unladen)	~1200 ± 25 mm
Payload	~ 19 Ton
Chassis	2 Nos. fabricated I-beam welded with formed section Cross members.
Axle Assembly	13 ton capacity heavy duty axles
Suspension	Heavy duty Tandem axle multi leaf spring suspension
King Pin	2" de-mountable kingpin as per IS 6763 Part-I
Mud guard	Fabricated mud guard 4 nos (loose supply)
Tyre	10.00 - 20 - 16 PR - 8 Nos
Wheel Rim	7.5 x 20 - 8 Nos
Brake system	2-line pneumatic brake system with air tank, relay emergency valve and brake chambers. Hose length to suit overall trailer length of 40 ft.
Shot Blasting & Painting	Trailer shall be shot blasted and coated with self-priming black epoxy primer.
Warranty	Warranty 12 months from the date of invoice under normal operating conditions excluding Leaf Springs & Tyres and other proprietary items. Warranty of bought out parts will be as per supplier's terms & conditions.

Optional accessories provided with running gear (provided as loose supply):

1. Bolted type double rubbing plate with fasteners
2. Ratchet type spare wheel carrier (spare tyre not in scope of supply)
3. Fabricated landing leg with inner brace support
4. 2-speed landing leg with mounting arrangement

Note: As a result of continuous product improvement the specifications given above may undergo change.